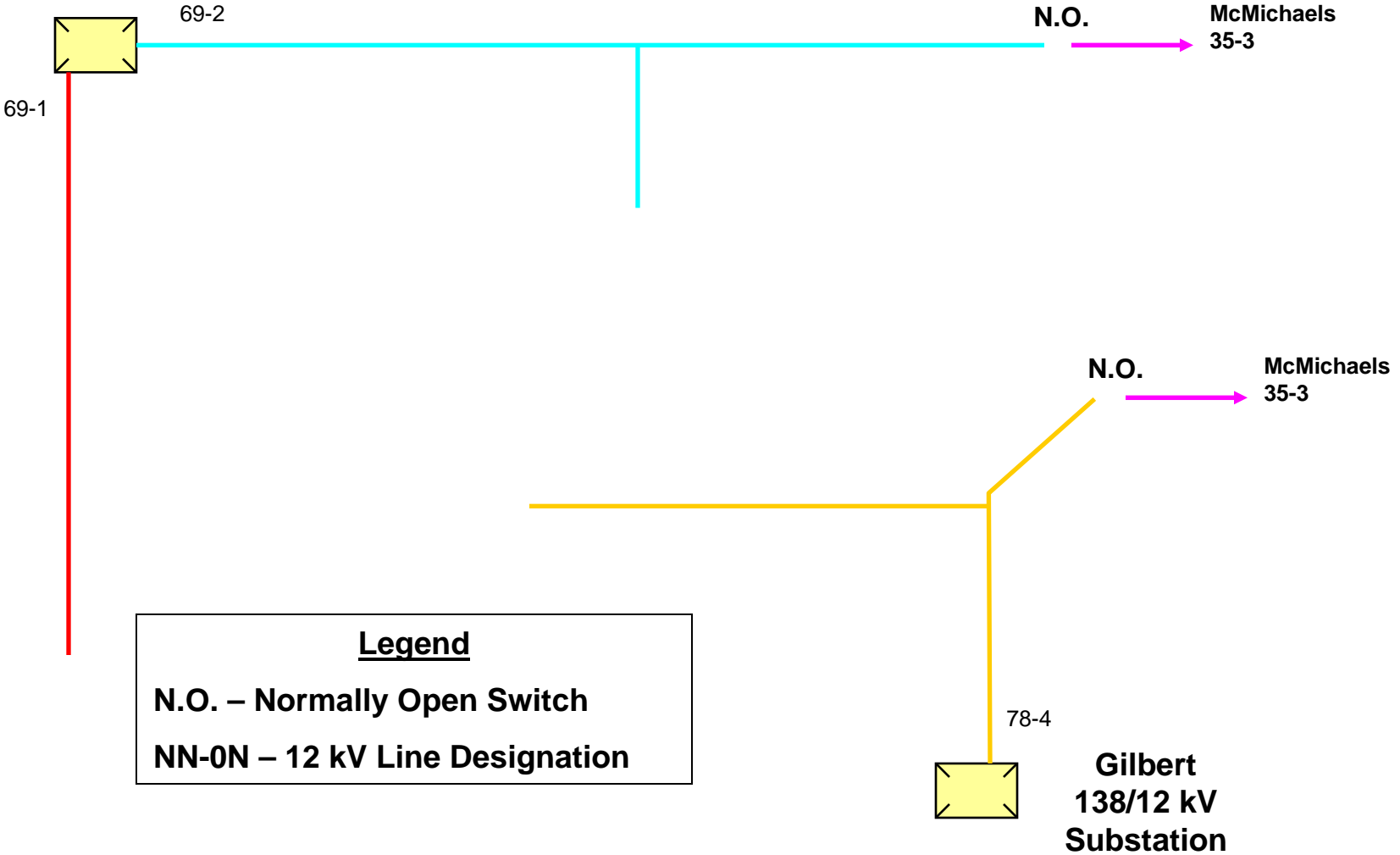


**FIGURE B-1: JONAS / SUN VALLEY AREA
FUNCTIONAL ONE-LINE DIAGRAM
EXISTING 12 kV DISTRIBUTION SYSTEM**

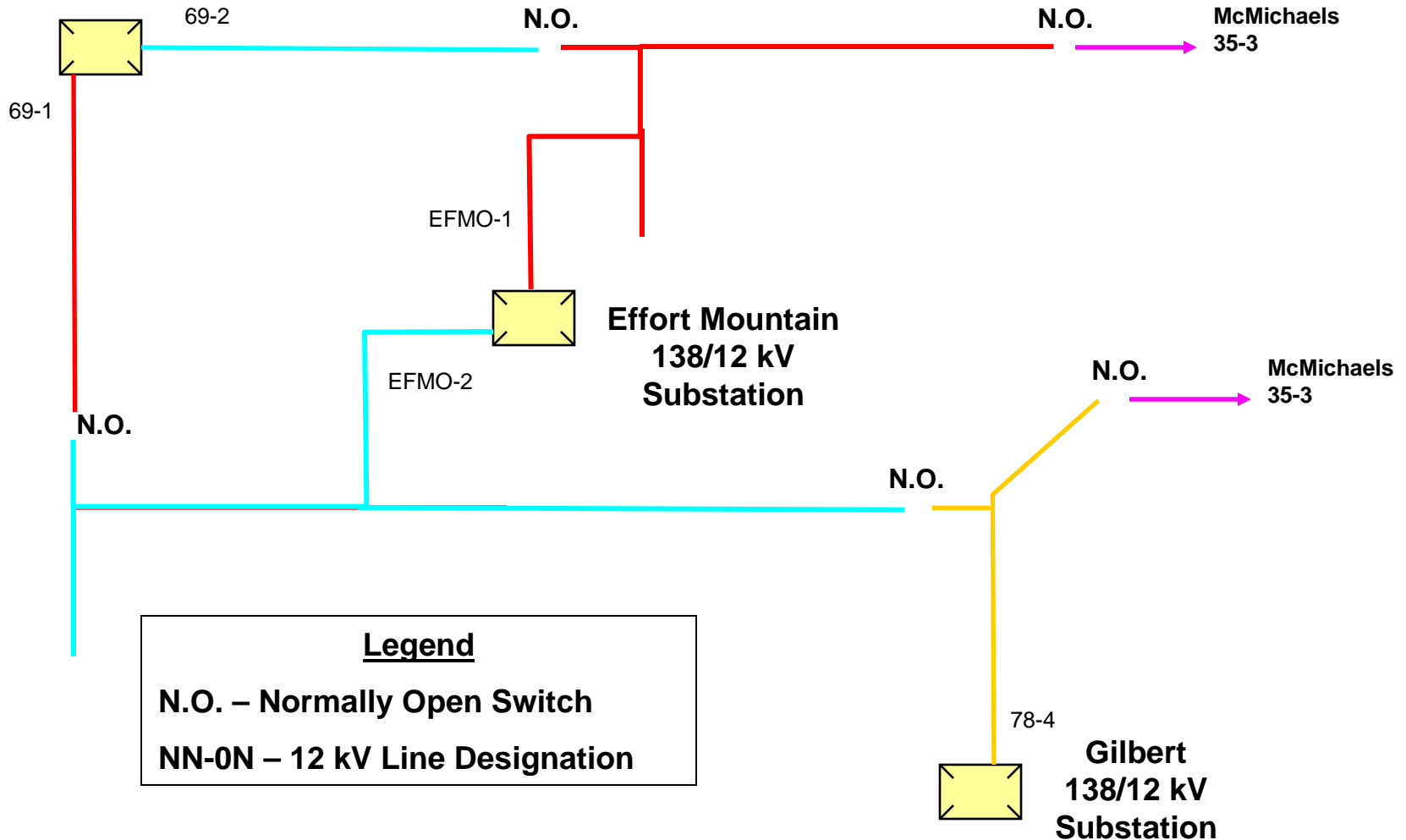
**Meckesville
69/12 kV
Substation**



Legend
N.O. – Normally Open Switch
NN-0N – 12 kV Line Designation

**FIGURE B-3: JONAS / SUN VALLEY AREA
FUNCTIONAL ONE-LINE DIAGRAM
PROPOSED 12 kV DISTRIBUTION SYSTEM**

**Meckesville
69/12 kV
Substation**



Legend
N.O. – Normally Open Switch
NN-0N – 12 kV Line Designation